

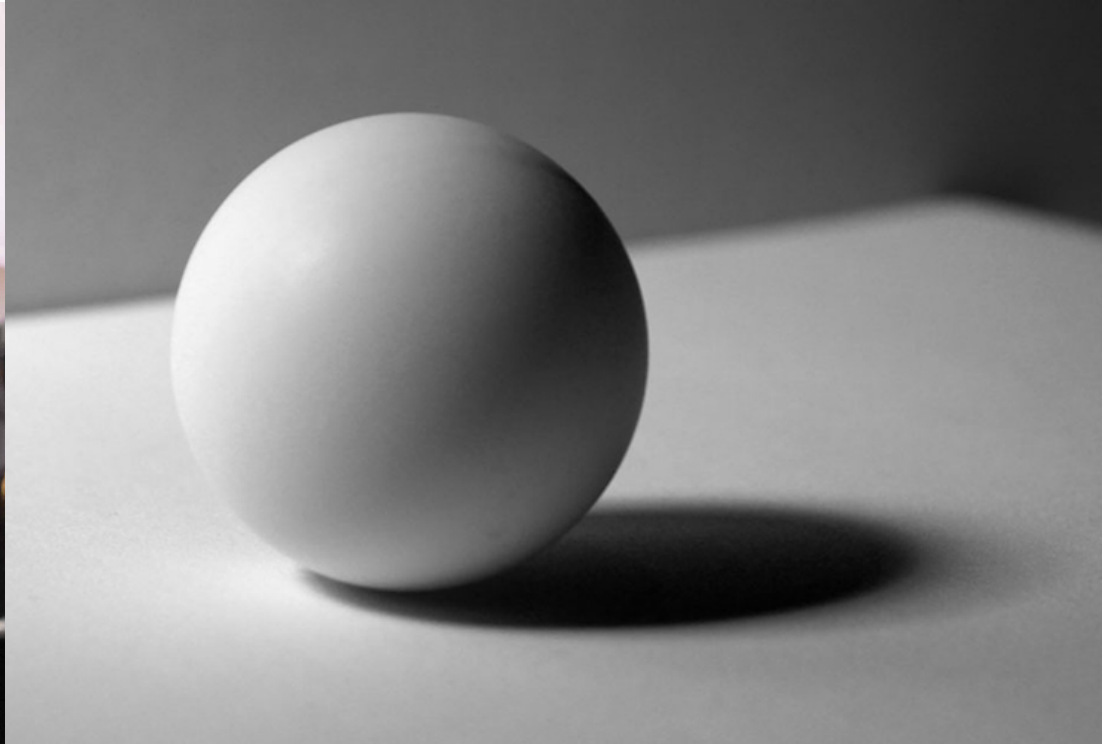


umloro

loomma



inspiration



UMBRA

There is no shadow without light..

Inspired by the relationship between geometric objects and their shadows, the Umbra collection features elegant pendants in sophisticated detail. Its metal plate derives from the perfectly elliptical shadow cast by a side-lit ball, mirroring the colorful mouth-blown crystal piece.

Design by Studio Dechem

production

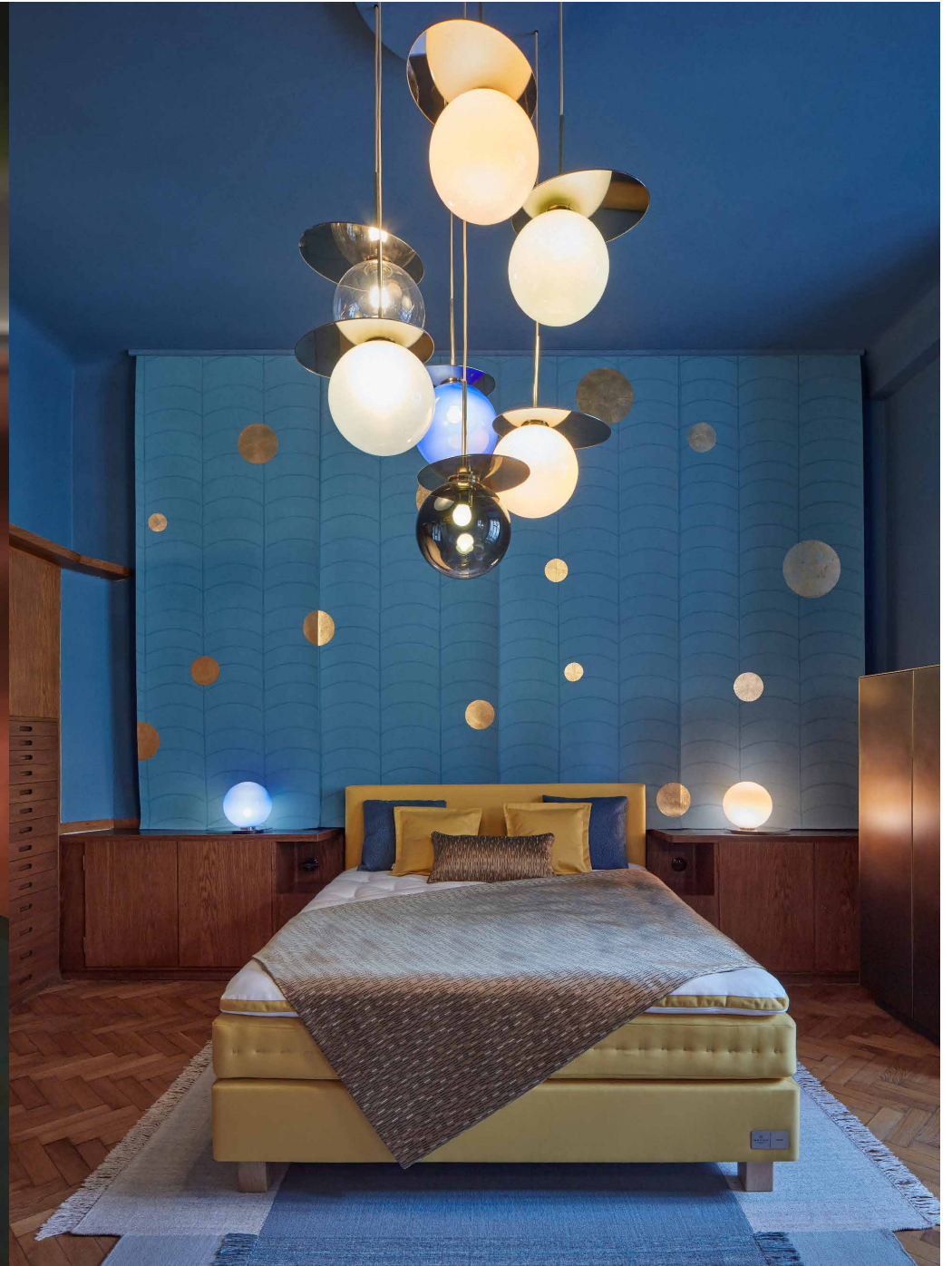




projects



BOMMA catalogue, 2021



BOMMA Atelier, Prague, 2021



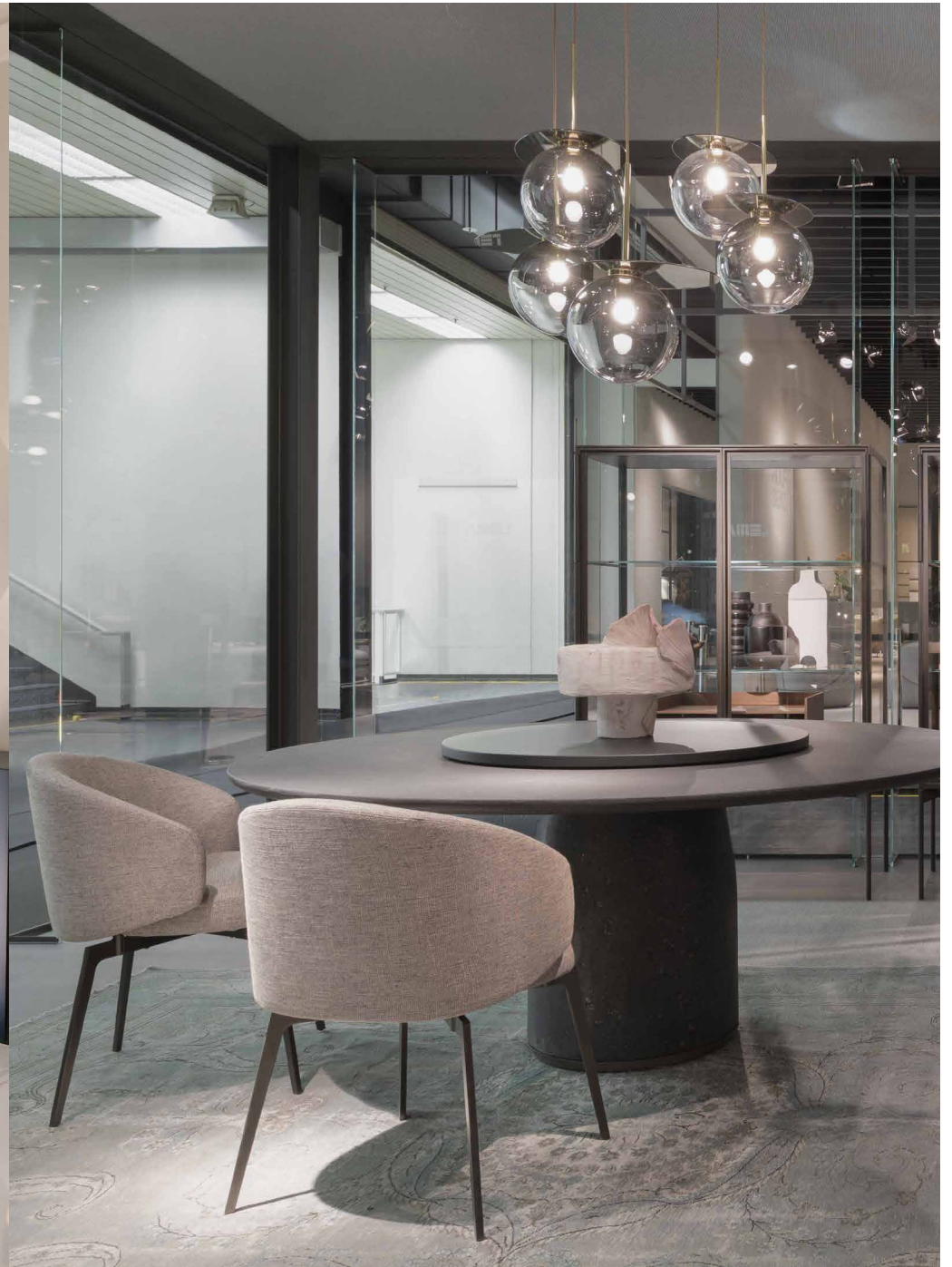
Archiproducts showroom, Milan, 2022



Composition of 11pcs



Private residence, Prague, 2019



LEMA stand, IMM Cologne, 2019



Canape by SOFFA, Prague, 2019



Palermo Uno, Milan, 2019



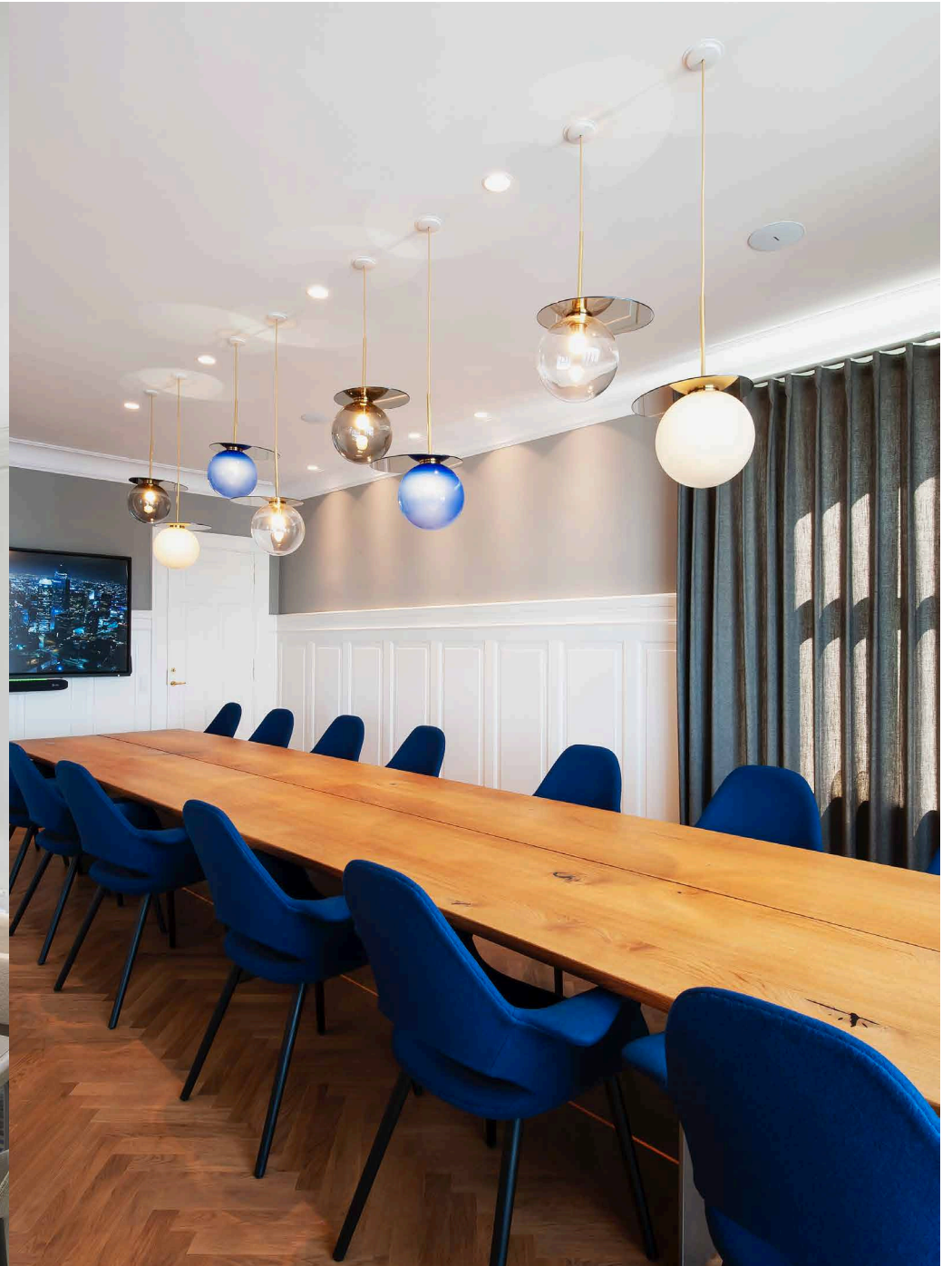
Spence and Lyda showroom, London, 2018



Cara Woodhouse interiors, Hamptons, 2019



Reding 41 apartment, Spain, 2022



Anker&co project, Denmark, 2022

options



pink glass
gold fitting



smoke glass
gold fitting



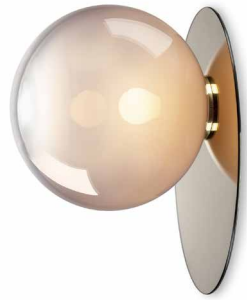
clear glass
gold fitting



light grey glass
gold fitting

pendant

Glass options: pink, smoke, clear, light grey
Fitting options: gold
Metal plate: double-sided - blue + gold



pink glass
gold fitting



smoke glass
gold fitting



clear glass
gold fitting



light grey glass
gold fitting

wall & ceiling

Glass options: pink, smoke, clear, light grey
Fitting options: gold
Metal plate: double-sided - blue + gold



pink glass
gold fitting



smoke glass
gold fitting



clear glass
gold fitting

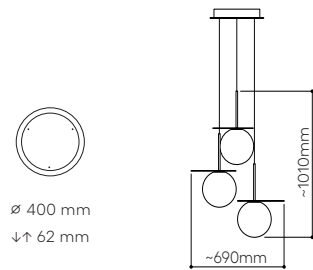


light grey glass
gold fitting

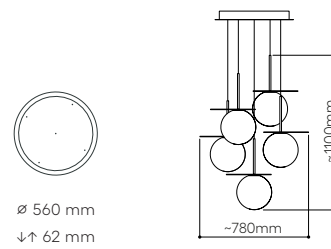
table

Glass options: pink, smoke, clear, light grey
Fitting options: gold
Metal plate: double-sided - blue + gold

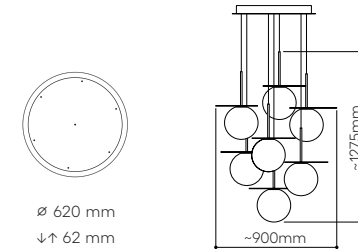
lomma



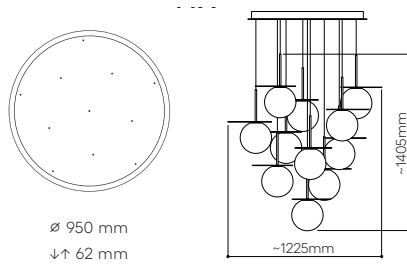
3 pendants



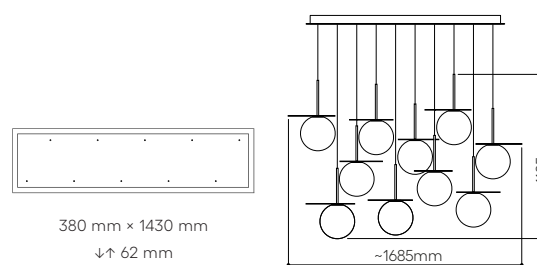
5 pendants



7 pendants



11 pendants



10 pendants
rectangular

chandeliers

technical informations

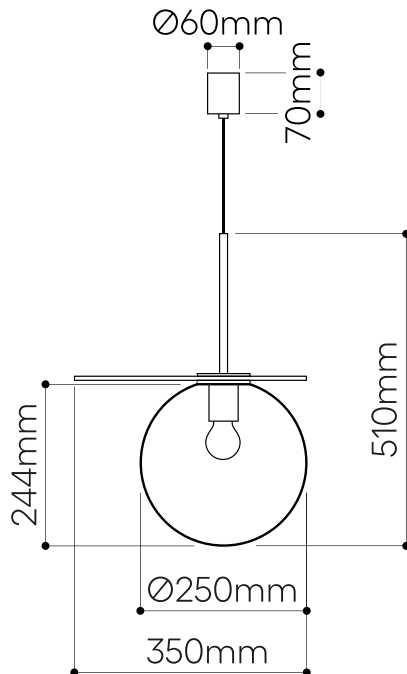
UMBRA pendant

Design by
Dechem Studio

Handmade glass attributes

All Bomma products are hand-made from mouth-blown lead-free crystal. Therefore any small bubbles, non-melts and irregularities in the glass are both proof and a characteristic feature of this traditional craft.

The Umbra Collection is made by underlying colored glass technology. Thanks to the manual process of blowing underlay glass, each piece is an original. Individual products may vary slightly in intensity, hue or even color. This is an accompanying characteristic of the traditional underlay glass technology.



LIGHTING DESCRIPTION

Size	350 × 270 × 510 mm 13,8 × 10,6 × 20,1 inch
Cable	moca textile braid 2,5 m / 98,4 inch
Weight	+ - 5 kg / 12,5 lb
Glass	mouth-blown lead-free crystal in smoke grey, pink, clear and light grey
Mounting	gold (polished stainless steel with nitride titan coating)
Protection	IP 20
Nominal voltage	220-240V / A.C. 50 hz (EU) 110-120 V / A.C. 60 Hz (USA)
Class	II. EU / I. USA

LIGHT SOURCE

Type	G45, 4W LED, 310 lm
Base	E27 (EU) / E26 (USA)
Wattage	max. 13W
Temperature	2700 K
Color index	RA 90+
Dimming	Dimmable with TRIAC ; on demand dimmable with DALI, RF/WIFI, for information on dimming with other systems please contact your Bomma partner.

PACKAGING

Material	Cardboard
Size	370 × 370 × 495 mm 14,6 × 14,6 × 19,5 inch

Origin: traditionally produced in the Czech Republic
Intellectual property license holder: Bomma Czech Republic (EU)
Represented by BMRC group s.r.o.

CERTIFICATES



bomma

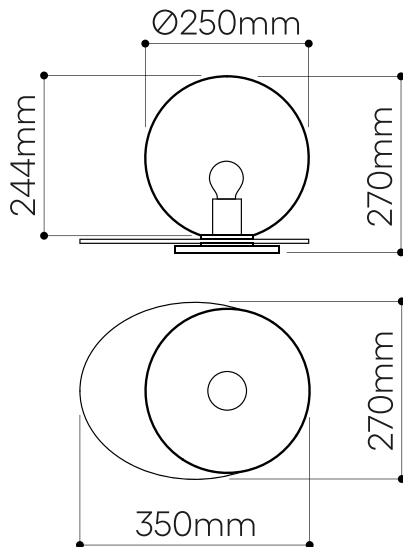
UMBRA table lamp

Design by
Dechem Studio

Handmade glass attributes

All Bomma products are hand-made from mouth-blown lead-free crystal. Therefore any small bubbles, non-melts and irregularities in the glass are both proof and a characteristic feature of this traditional craft.

The Umbra Collection is made by underlying colored glass technology. Thanks to the manual process of blowing underlay glass, each piece is an original. Individual products may vary slightly in intensity, hue or even color. This is an accompanying characteristic of the traditional underlay glass technology.



LIGHTING DESCRIPTION

Size	350 × 270 × 270 mm 13,8 × 10,6 × 10,6 inch
Cable	black textile braid 1,8 m / 70,8 inch
Weight	+/- 4,5 kg / 9,9 lb
Glass	mouth-blown lead-free crystal in smoke grey, pink, clear and light grey
Mounting	gold (polished stainless steel with nitride titan coating)
Protection	IP 20
Nominal voltage	220-240V / A.C. 50 hz (EU) 110-120 V / A.C. 60 Hz (USA)
Class	II. EU / I. USA

LIGHT SOURCE

Type	G45, 4W LED, 310 lm
Base	E27 (EU) / E26 (USA)
Wattage	max. 13W
Temperature	2700 K
Color index	RA 90+
Dimming	Dimmable with TRIAC ; on demand dimmable with DALI, RF/WIFI, for information on dimming with other systems please contact your Bomma partner. Dimmer within the power cable.

PACKAGING

Material	Cardboard
Size	370 × 370 × 495 mm 14,6 × 14,6 × 19,5 inch

Origin: traditionally produced in the Czech Republic
Intellectual property license holder: Bomma Czech Republic (EU)
Represented by BMRC group s.r.o.

CERTIFICATES



bomma

UMBRA

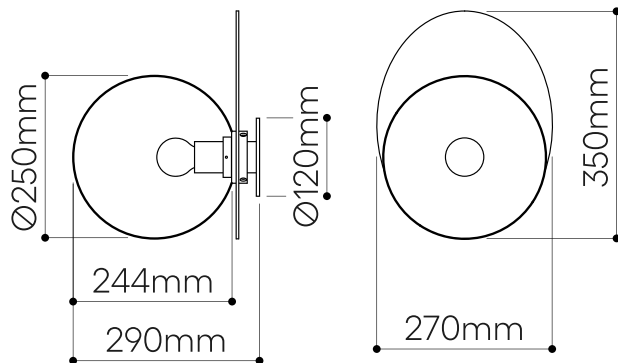
wall & ceiling lighting

Design by
Dechem Studio

Handmade glass attributes

All Bomma products are hand-made from mouth-blown lead-free crystal. Therefore any small bubbles, non-melts and irregularities in the glass are both proof and a characteristic feature of this traditional craft.

The Umbra Collection is made by underlying colored glass technology. Thanks to the manual process of blowing underlay glass, each piece is an original. Individual products may vary slightly in intensity, hue or even color. This is an accompanying characteristic of the traditional underlay glass technology.



LIGHTING DESCRIPTION

Size	350 × 270 × 290 mm 13,8 × 10,6 × 11,4 inch
Weight	+/- 4,5 kg / 9,9 lb
Glass	mouth-blown lead-free crystal in smoke grey, pink, clear and light grey
Mounting	gold (polished stainless steel with nitride titan coating)
Protection	IP 20
Nominal voltage	220-240V / A.C. 50 hz (EU) 110-120 V / A.C. 60 Hz (USA)
Class	II. EU / I. USA

LIGHT SOURCE

Type	G45, 4W LED, 310 lm
Base	E27 (EU) / E26 (USA)
Wattage	max. 13W
Temperature	2700 K
Color index	RA 90+
Dimming	Dimmable with TRIAC ; on demand dimmable with DALI, RF/WIFI, for information on dimming with other systems please contact your Bomma partner.

PACKAGING

Material	Cardboard
Size	370 × 370 × 495 mm 14,6 × 14,6 × 19,5 inch

Origin: traditionally produced in the Czech Republic
Intellectual property license holder: Bomma Czech Republic (EU)
Represented by BMRC group s.r.o.

CERTIFICATES



bomma

BMRC Group s.r.o.
Hvězdova 1716/2b,
Prague 4, 140 00,
Czech Republic

info@bomma.cz

step beyond