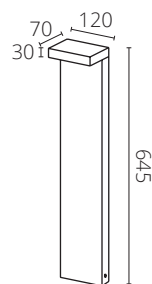
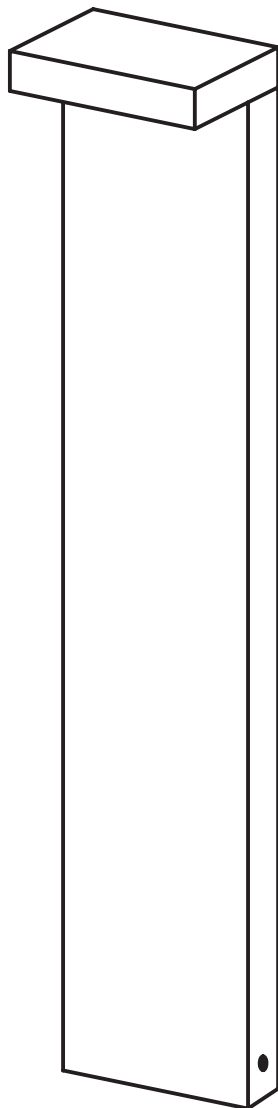


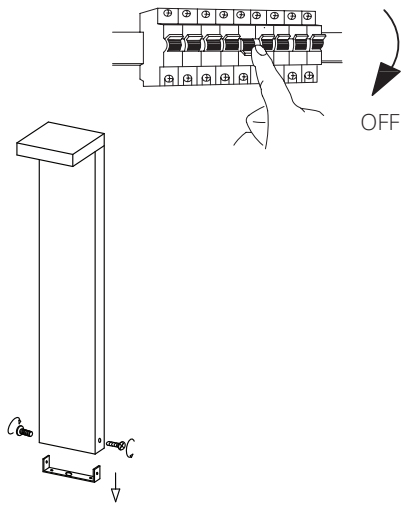
BISTRO

Installation manual

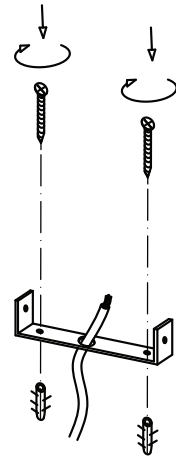




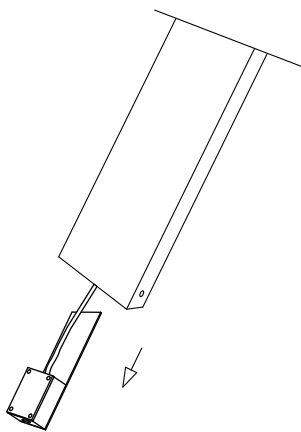
01



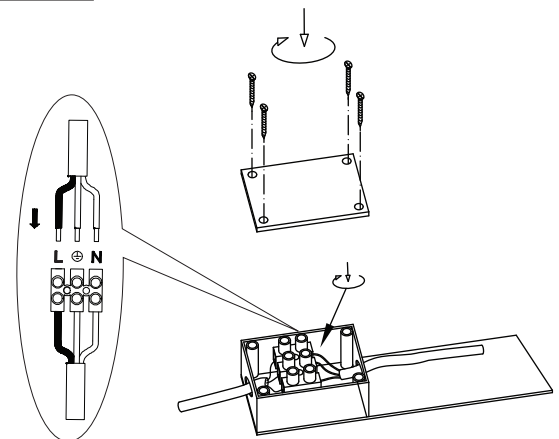
02



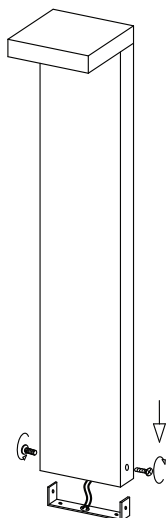
03



04



05



06

